

GVISION's P15BX is a 15" POS solution with a slim bezel design which maximizes screen space yet does not take up additional room. The P15BX provides reliable and durable operation for retail POS and hospitality markets. The P15BX can be easily integrated with a variety of POS or PC systems. It is ideal for demanding usage which requires a highly stable monitor and resilient touchscreen. Touch technology can be customized for your projects.



- Slim bezel
- Durable design
- Customizable touch technology

For more information please contact

1-888-651-9688 | www.GVISION-USA.com

PARAMETER		SPECIFICATION
LCD Display		15" TFT active matrix panel
Pixel Pitch		0.297 (H) x 0.297 (V) mm
Max. Resolution		XGA 1024 x 768
Contrast Ratio		700:1 (Typ.) w/o sensor or glass
Brightness		250 cd/m ² (Typ.) w/o sensor or glass
Response Time (Tr+Tf)		8 ms (Typ.)
Display Color		16.2M
Effective Display Area		304.1 (H) x 228.1 (V) mm
Viewing Angle (CR≥10)		140°(H) x 130°(V) (Typ.) w/o sensor or glass
Lamp Life (hr) / Backlight		35,000 (Min.) / CCFL
Stand Base		Tilt down : -5° , Tilt up : +90°
Input Signals		Analog, Digital
Signal Connector	Analog	D-Sub15 pin (VGA)
	Digital	DVI-D
Scan Frequency		60 ~ 75 Hz
Audio System		1W per channel
Touch Panel		5-wire Resistive
Touch Interface		RS-232 or USB A type
Power		Universal Power Adapter Input AC 100 ~ 240V, 50 ~ 60 Hz Output DC 12V / 3A, 36W
Operating	Temperature	0°C ~ 40°C (32°F ~ 104°F)
	Humidity	10% ~ 90% (no condensation)
	Altitude	To 10,000 feet
Storage	Temperature	-20°C ~ 60°C (-4°F ~ 140°F)
	Humidity	10% ~ 90% (no condensation)
Dimensions (WxHxD)		351.0 x 314.5 x 140.0 mm
Carton Dimensions (WxHxD)		438.0 x 460.0 x 214.0 mm
Weight (Net)		4.5 kg
Certification	EMC	CE/FCC
	Safety	UL/c-UL/ TUV
	Other	CCC (optional)
Standard Pallet Loading (by sea)		48 units (1300 [L] x 900 [W] x 1960 [H] mm)
Standard Pallet Loading (by air)		30 units (1070 [L] x 880 [W] x 1500 [H] mm)

FEATURES

- High contrast color TFT LCD display supports resolution up to 1024 x 768
- Compatible with VGA, IBM and VESA signal standards (resolution/timing auto-detected)
- Compatible with non-standard signals (on request)
- Supports DDC 1/2B for Plug & Play compatibility
- Advanced OSD control for picture quality adjustment
- VESA standard mounting
- RoHS Compliance

OPTIONS

- Anti-Glare / Anti-Reflective tempered glass
- Sunlight Readable
- IP54 waterproof & dustproof sealed front bezel
- Touch sensor technologies: resistive, surface capacitive
- Video Signal input
 - Signal Connector: RCA / S-Video
 - NTSC / PAL / SECAM video

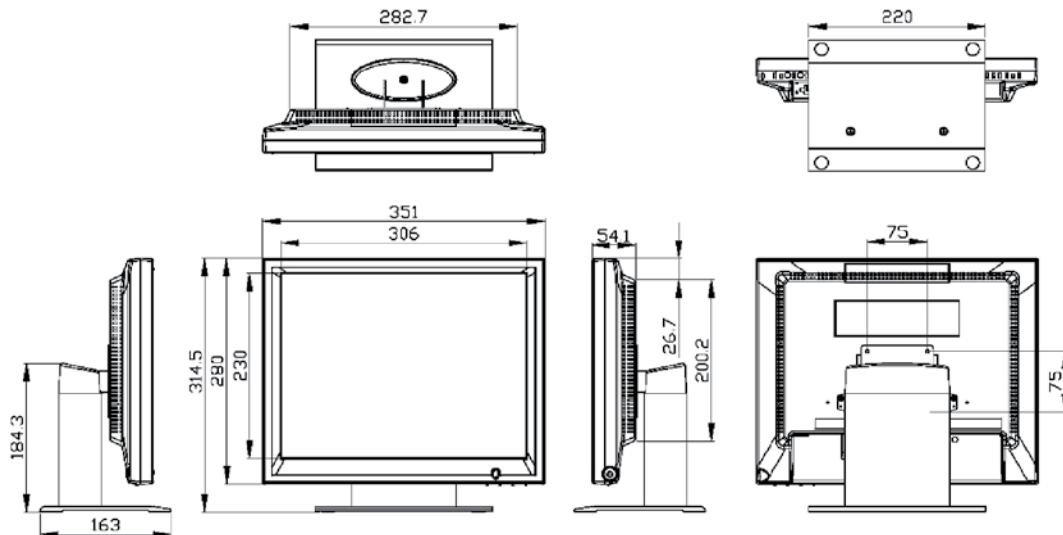
TOUCH SENSOR SPECIFICATION

Type	5W Resistive	Capacitive
Transmission	80% ± 2%	91.5% ± 1.5%
Interface	USB or RS-232	USB or RS-232
Durability	30 million times	3-years
OS Support	DOS ; Windows Linux Mac OS X / OS 9.x	

* Specifications are subject to change without notice.

MECHANICAL DRAWING

Unit : mm



GVISION Inc. USA
20532 Crescent Bay Drive, Suite 104
Lake Forest, CA 92630

